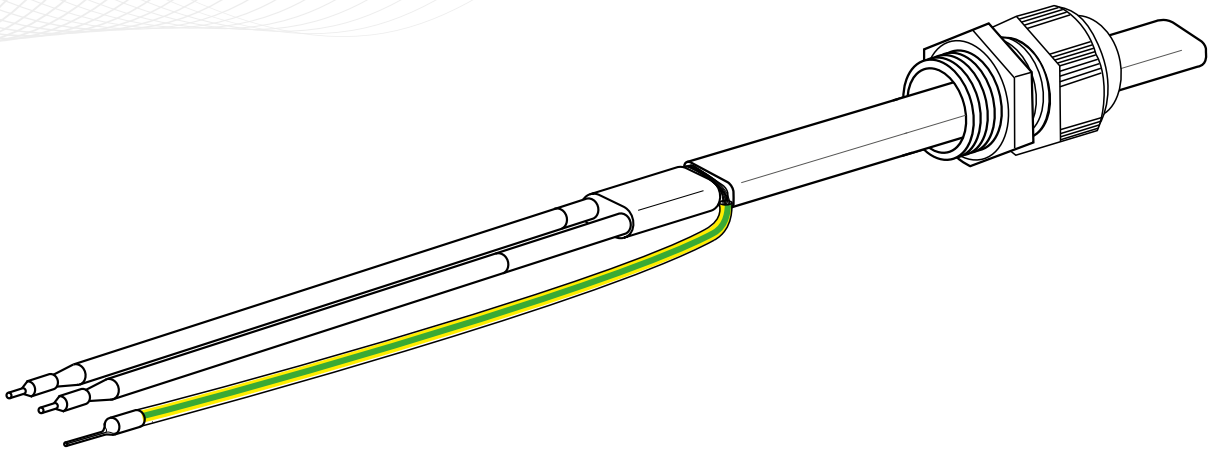


ASSEMBLY INSTRUCTIONS



ELVB-SREx-SH+-20

Power connection set with cable gland
for ELSR-H+ & ELSR-SH+

CONTENTS

Topic	page
Recommended tools	4
Contents of power connection set	4
Preparation & assembly	5
Slide on cable gland	5
Remove outer jacket	5
Loosen protective braid	5
Remove inner insulation	6
Expose supply conductors	6
Finish assembly	6

IMPORTANT INFORMATION

- RETAIN FOR LATER USE



Please follow these instructions for proper and safe use of the ELVB-SREx-SH+-20 power connection sets. Please retain these instructions for later reference purposes (for example in the system documentation).

- FOR DISPOSAL



The WEEE logo indicates that this product must not be disposed of with residential waste. Further information about disposal and recycling of old electrical and electronic devices and where to find collection points is available from your local disposal company or from the manufacturer from which you bought the product.



ATTENTION

Refers to a potentially dangerous situation. If it is not prevented, there is a risk of damage or malfunction.



DANGER

Refers to an extremely dangerous situation. If it is not prevented there is risk of death or at least a high risk of serious injuries.



NOTE

Important information and instructions for safe, effective and environmentally compatible usage.



WARNING

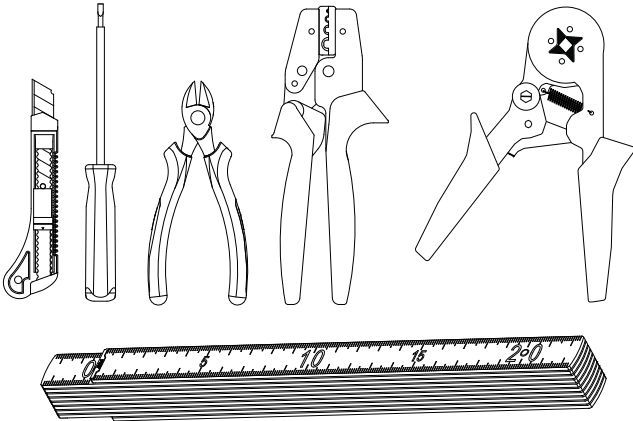
Refers to a dangerous situation. If it is not prevented there is risk of injury or at least a high risk of material damage.

Proviso

We reserve the right to make technical changes. Changes, errors or misprints shall not form the basis for any claim to compensation for damages. Comply with the applicable and currently valid standards and regulations for safety-related components and systems.

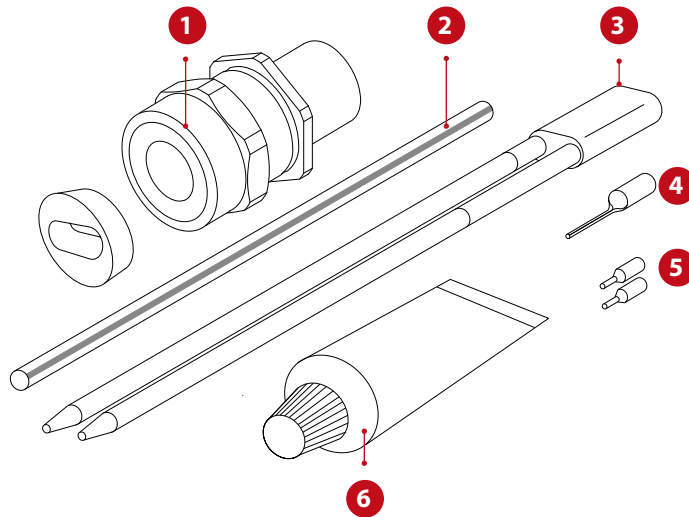
eltherm GmbH Ernst-Heinkel-Str. 6-10 57299 Burbach T.: +49 2736 4413-0 F.: +49 2736 4413-50 info@eltherm.com	Document: 8643050X81SPX		Assembly instructions ELVB-SREx-SH+-20 with ELSR-H+ & -SH+	
	Author:	Julian Engel	Date:	04.07.2024
	Revision: 01	Julian Engel	Date:	20.09.2024

RECOMMENDED TOOLS



CONTENTS OF POWER CONNECTION SET (Art.No. 0X81SP1)

Suitable for use with ELSR-H+; -SH+



No.	Type	Quantity
1	Cable gland M25 x 1,5; Brass	1 unit
2	Shrink tubing $\text{Øi}=3/16''$ (4.8 mm); 7'' (180 mm); gn/ye	1 unit
3	Insulator for ELSR connection	1 unit
4	Terminal pin 4-6 mm ² ; E-Cu electrogalvanised	1 unit
5	Wire end ferrules 1.5 mm ² ; black	2 units
6	Silicone adhesive; 5 gr.	1 unit

i NOTE

This set does not include a termination. If a termination is needed, it must be ordered separately.



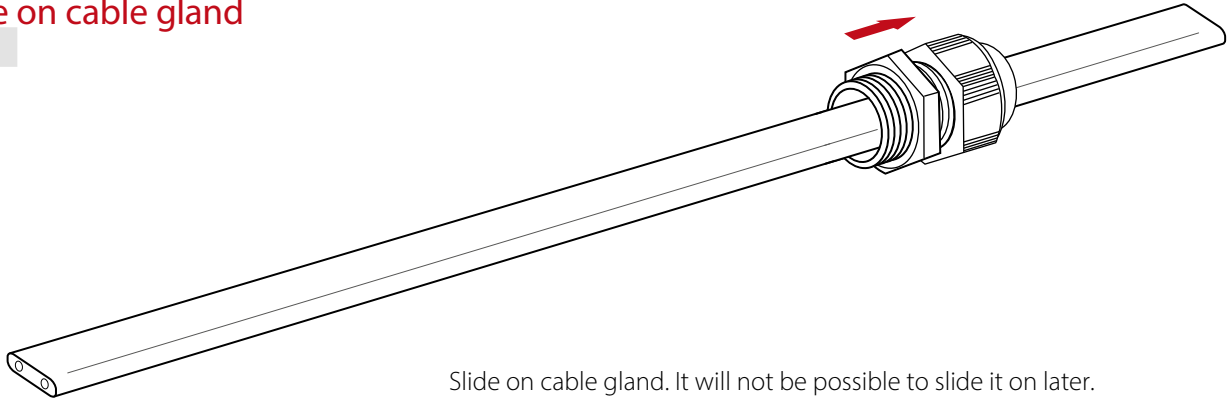
ATTENTION

- Work may only be performed by authorised and qualified personnel!
- After work is complete, check the insulation resistance (min. 500VDC, recommended 2500VDC, min. 20 MOhms) and measure heater resistance!
- Make sure to use appropriate tools for connections of wires and end sleeves!

PREPARATION & ASSEMBLY

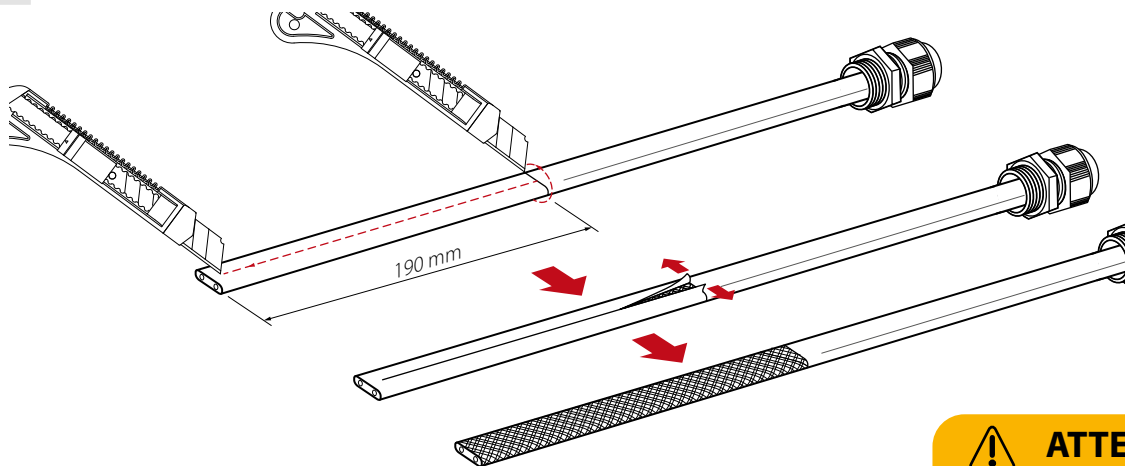
Slide on cable gland

1.



Remove outer jacket

2.

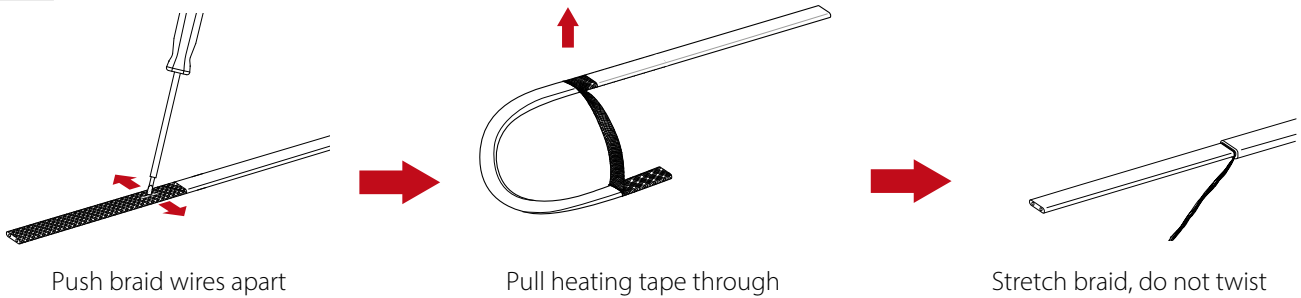


ATTENTION

Do not damage the protective braid!

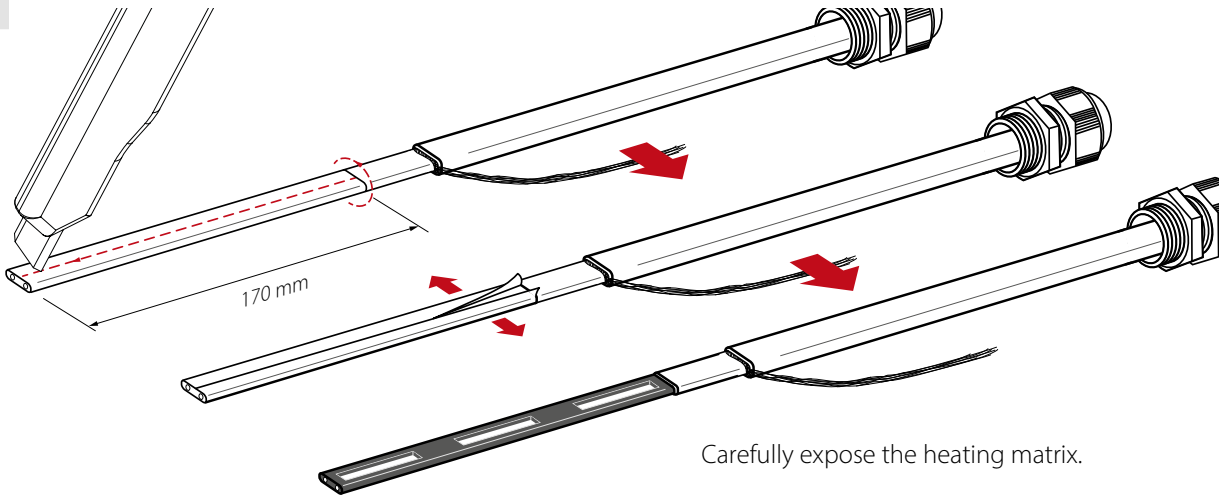
Loosen protective braid

3.



Remove inner insulating cover

4.



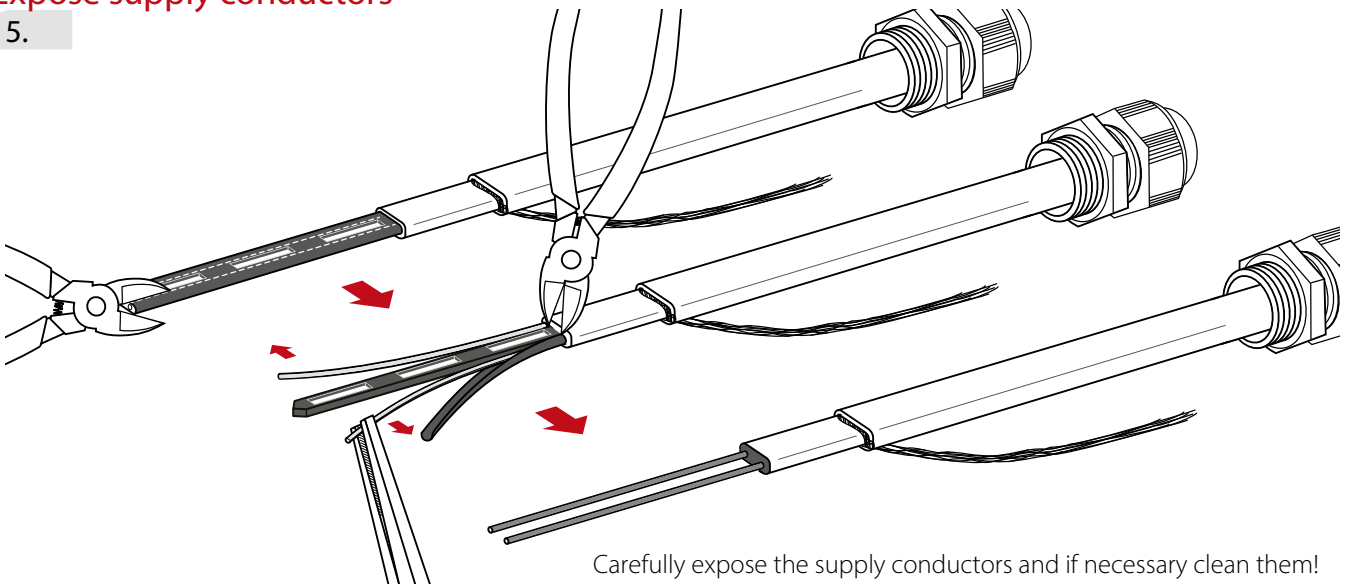
Carefully expose the heating matrix.

i NOTE

Hole spacing and lengths may vary depending on the trace heater type.

Expose supply conductors

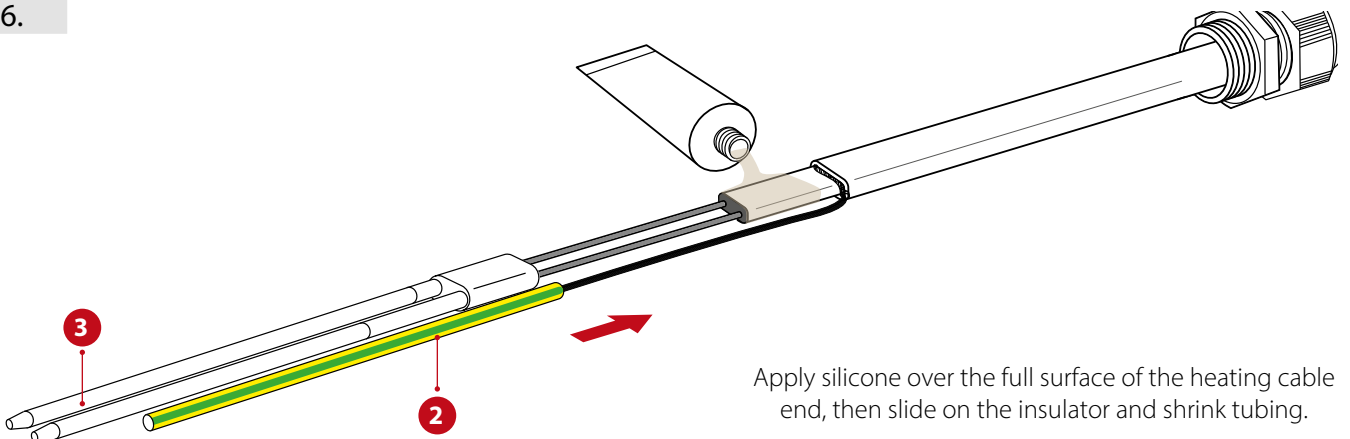
5.



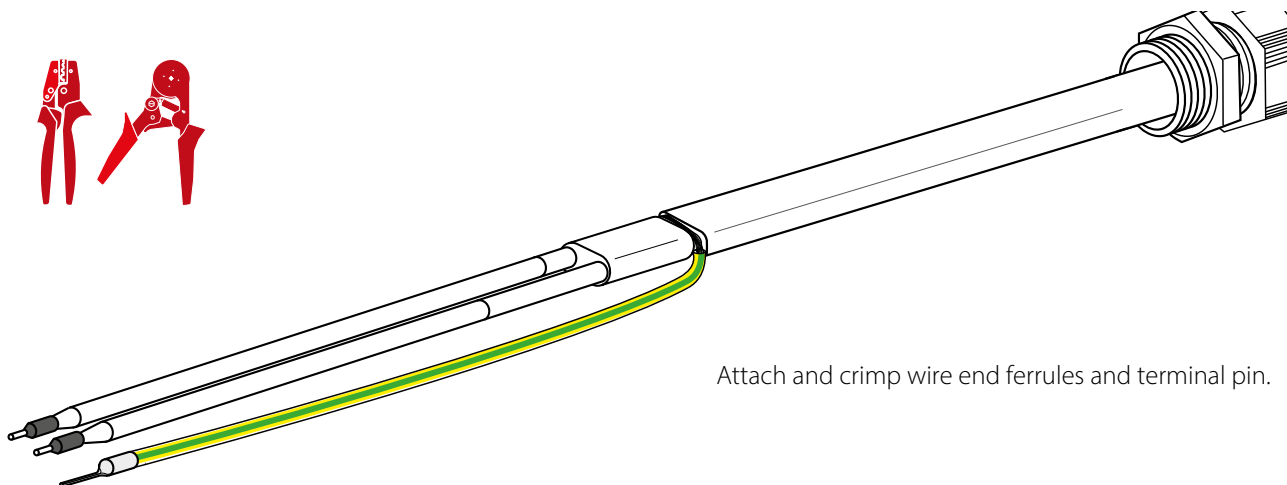
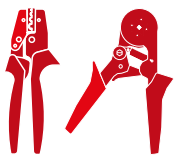
Carefully expose the supply conductors and if necessary clean them!

Finish assembly

6.

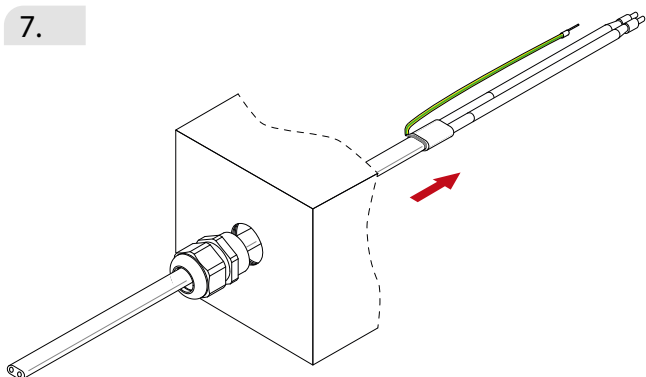


Apply silicone over the full surface of the heating cable end, then slide on the insulator and shrink tubing.

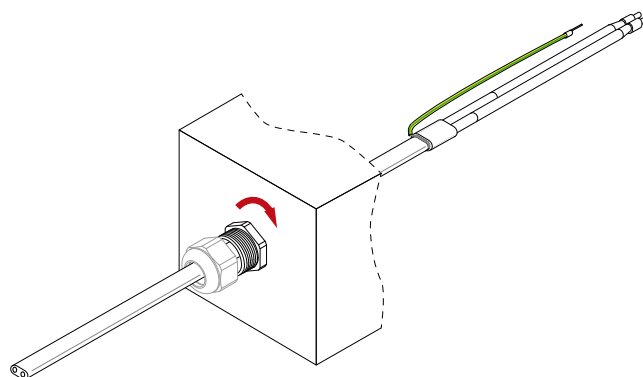


Attach and crimp wire end ferrules and terminal pin.

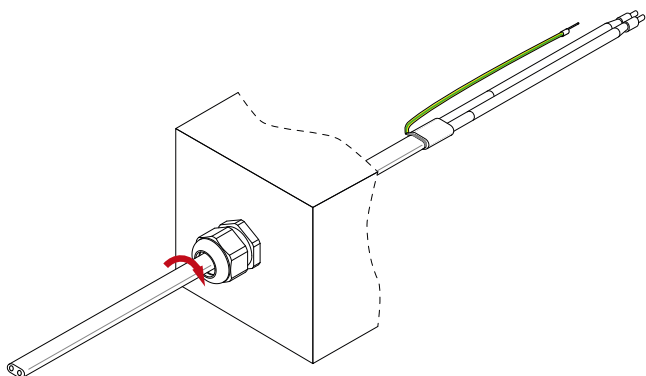
7.



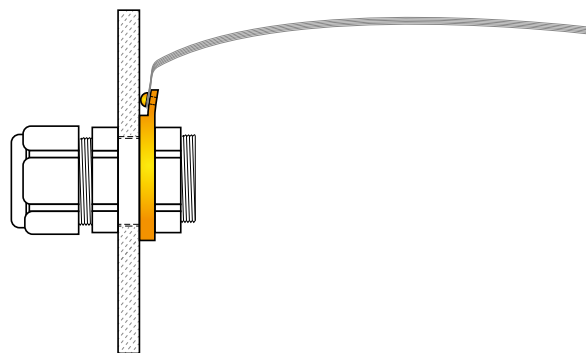
1. Insert the fully assembled heating cable into the housing.



2. Screw the bottom part of the cable gland into the housing.



3. Set the seal in place and tighten the cable gland.



For installation of metal cable glands in plastic housing:
Earth the cable gland with an earthing kit!



WARNING

In the hazardous area always follow the instructions for the cable gland. These instructions also contain important information for safe use!



NOTE

This set does not include an earthing kit. If an earthing kit is needed, it must be ordered separately.



This document can also be found on the eltherm website.
Visit our download area.

eltherm[®]



eltherm GmbH
Ernst-Heinkel-Straße 6-10
57299 Burbach, Germany

T.: +49 2736 4413-0
F.: +49 2736 4413-50
info@eltherm.com