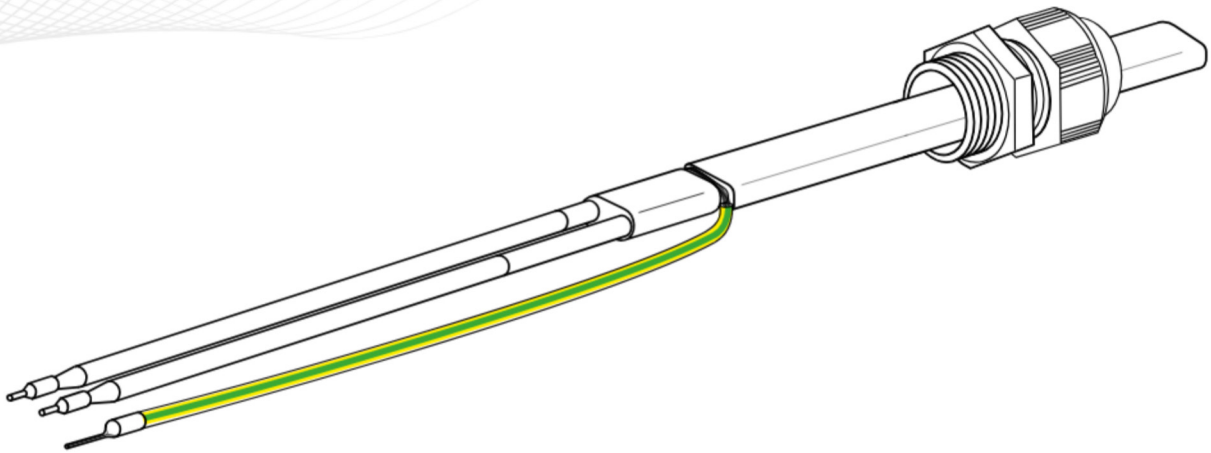


ASSEMBLY INSTRUCTIONS



ELVB-SRAx-25

ELSR cold connection technology
Initial connection set with M25 screw connection

CONTENTS

Topic	page
Recommended tools	4
Contents of initial connection set	4
ELVB-SRA-25	4
ELVB-SRAH-25	4
Preparation & assembly	5
Slide on / remove cable gland	5
Remove outer jacket	5
Loosen protective braiding (ELSR type "BO")	5
Remove aluminium foil (ELSR type "AO")	5
Remove inner insulation	6
Expose supply conductors	6
Finish assembly	6

IMPORTANT INFORMATION

- RETAIN FOR LATER USE



Please follow these instructions for proper and safe use of the ELVB-SRA-25 and ELVB-SRAH-25 initial connection sets. Please retain these instructions for later reference purposes (for example in the system documentation).

- FOR DISPOSAL



The WEEE logo indicates that this product must not be disposed of with residential waste.

Further information about disposal and recycling of old electrical and electronic devices and where to find collection points is available from your local disposal company or from the manufacturer from which you bought the product.



ATTENTION

Refers to a potentially dangerous situation. If it is not prevented, there is a risk of damage or malfunction.



DANGER

Refers to an extremely dangerous situation. If it is not prevented there is risk of death or at least a high risk of serious injuries.



NOTE

Important information and instructions for safe, effective and environmentally compatible usage.



WARNING

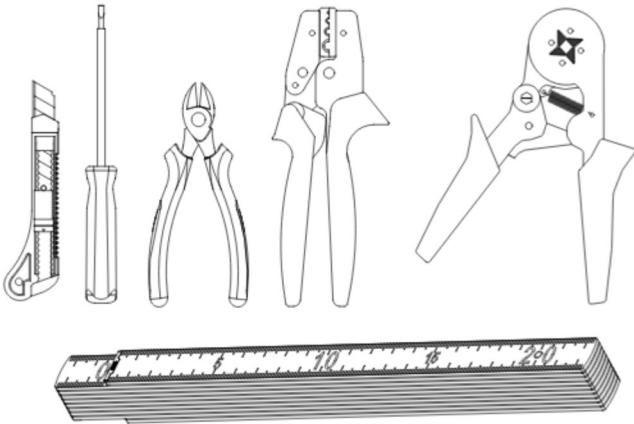
Refers to a dangerous situation. If it is not prevented there is risk of injury or at least a high risk of material damage.

Proviso

We reserve the right to make technical changes. Changes, errors or misprints shall not form the basis for any claim to compensation for damages. Comply with the applicable and currently valid standards and regulations for safety-related components and systems.

eltherm GmbH Ernst-Heinkel-Str. 6-10 57299 Burbach T.: +49 2736 4413-0 F.: +49 2736 4413-50 info@eltherm.com	Document: 864304091A01X		Assembly instructions ELVB-SRAx-25	
	Author:	Felix Kind	Date:	01.12.2012
	Revision: 06	Detlef Matthes	Date:	27.09.2023

RECOMMENDED TOOLS



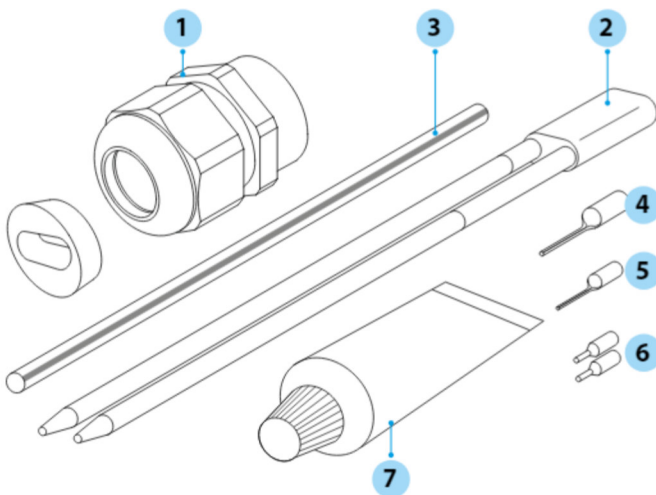
ATTENTION

- Work may only be performed by authorised and qualified specialists!
- After work is complete, check the insulation resistance (min. 500VDC, recommended 2500VDC, min. 20 MOhms)!
- Crimp the nickel sleeves and terminal pins with a suitable tool (e.g. Stocko WZ100 with insert E66 or similar).

CONTENTS OF INITIAL CONNECTION SET

ELVB-SRA-25 (art. no. 091A010)

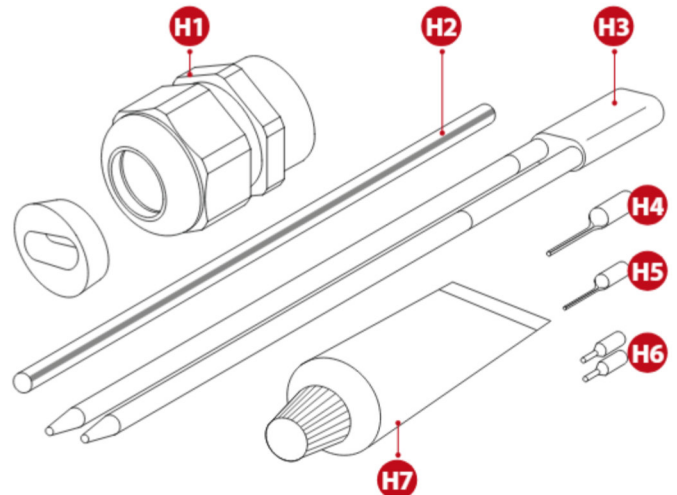
Suitable for use with ELSR-N; -LS; -W, -FHP



No.	Type	Quantity
1	Cable gland incl. locknut M25 x 1,5	1 unit
2	Insulator for ELSR connection	1 unit
3	Shrink tubing Øi=1/16" (1.6 mm); 180 mm; gn/ye for ELSR with Aluminium foil (AO)	1 unit
	Shrink tubing Øi=3/16" (4.8 mm); 180 mm; gn/ye for ELSR with braiding (BO)	1 unit
4	Terminal pin 4-6 mm ² ; E-Cu electrogalvanised	1 unit
5	Terminal pin 1.5-2.5 mm ² ; E-Cu electrogalv.	1 unit
6	Wire end ferrules 1.5 mm ² ; black	2 units
7	Silicone adhesive; "EC" Blue, 5 gr.	1 unit

ELVB-SRAH-25 (art. no. 091A040)

Suitable for use with ELSR-H; -SH; -SHH



No.	Type	Quantity
H1	Cable gland M25 x 1,5	1 unit
H2	Insulator for ELSR connection	1 unit
H3	Shrink tubing Øi=3/16" (4.8 mm); 180 mm; gn/ye	1 unit
H4	Terminal pin 4-6 mm ² ; E-Cu electrogalvanised	1 unit
H5	Terminal pin 1.5-2.5 mm ² ; E-Cu electrogalv.	1 unit
H6	Wire end ferrules 1.5 mm ² ; black	2 units
H7	Silicone adhesive; "ECH" Red, 5 gr.	1 unit



NOTE

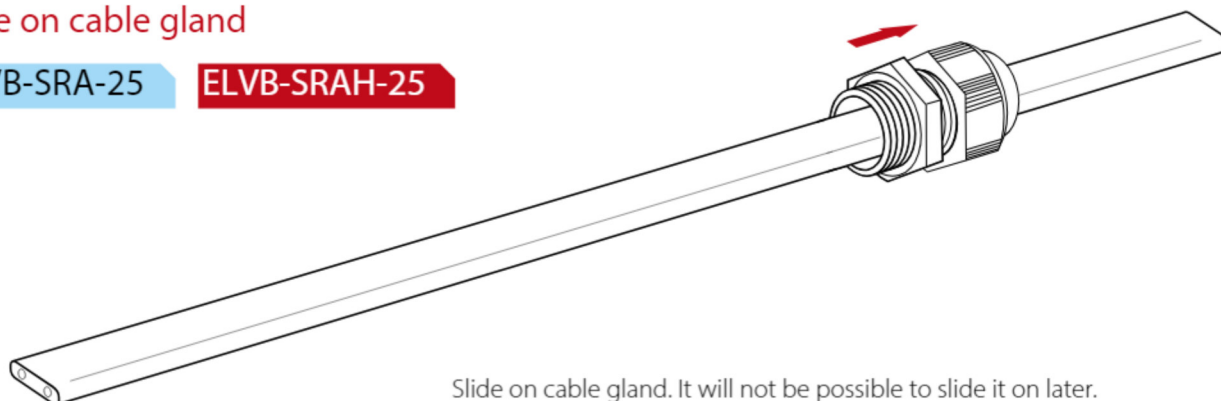
This set does not include a termination. If a termination is needed, it must be ordered separately.

PREPARATION & ASSEMBLY

Slide on cable gland

ELVB-SRA-25

ELVB-SRAH-25

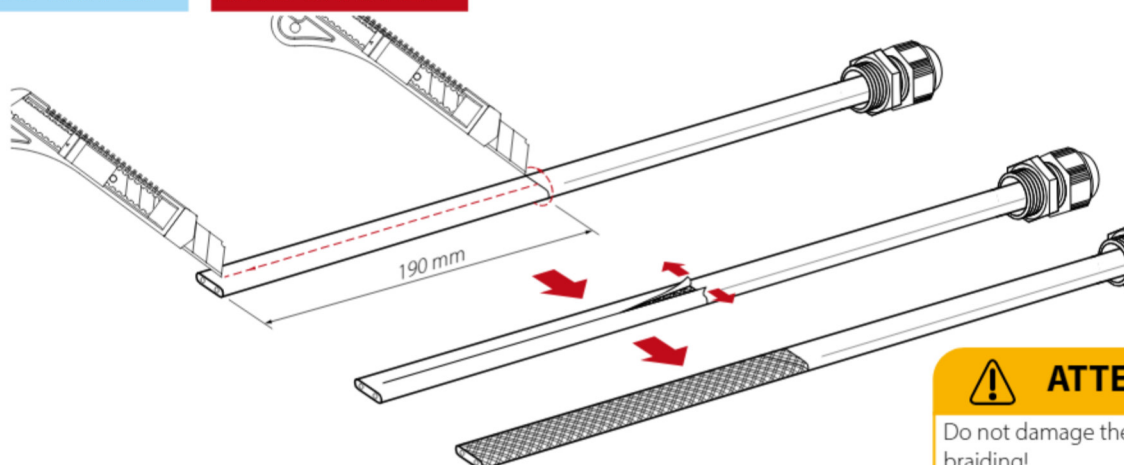


Slide on cable gland. It will not be possible to slide it on later.

Remove outer jacket

ELVB-SRA-25

ELVB-SRAH-25



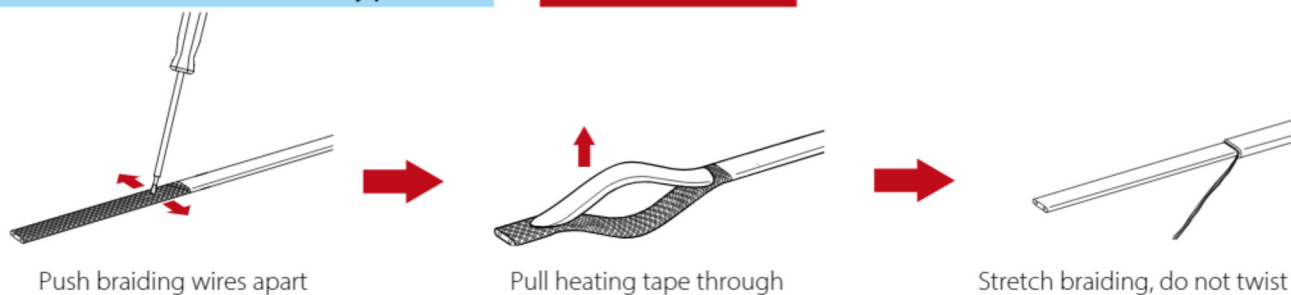
ATTENTION

Do not damage the protective braiding!

Loosen protective braiding

ELVB-SRA-25 (für ELSR Typ „BO“)

ELVB-SRAH-25



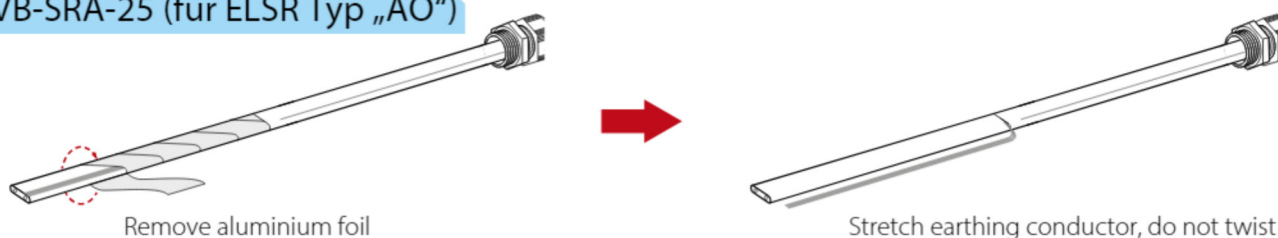
Push braiding wires apart

Pull heating tape through

Stretch braiding, do not twist

Remove aluminium foil

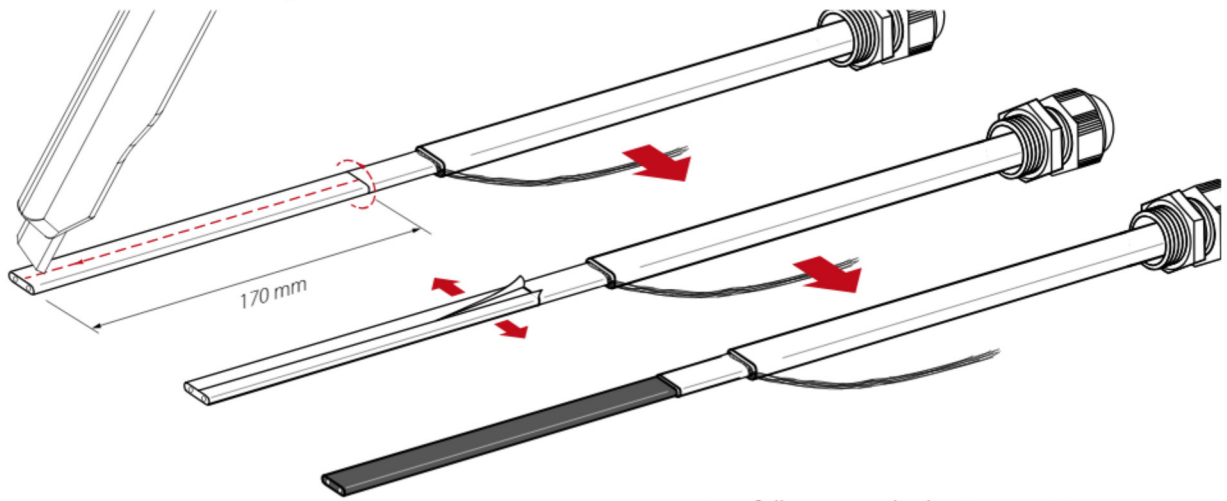
ELVB-SRA-25 (für ELSR Typ „AO“)



Remove aluminium foil

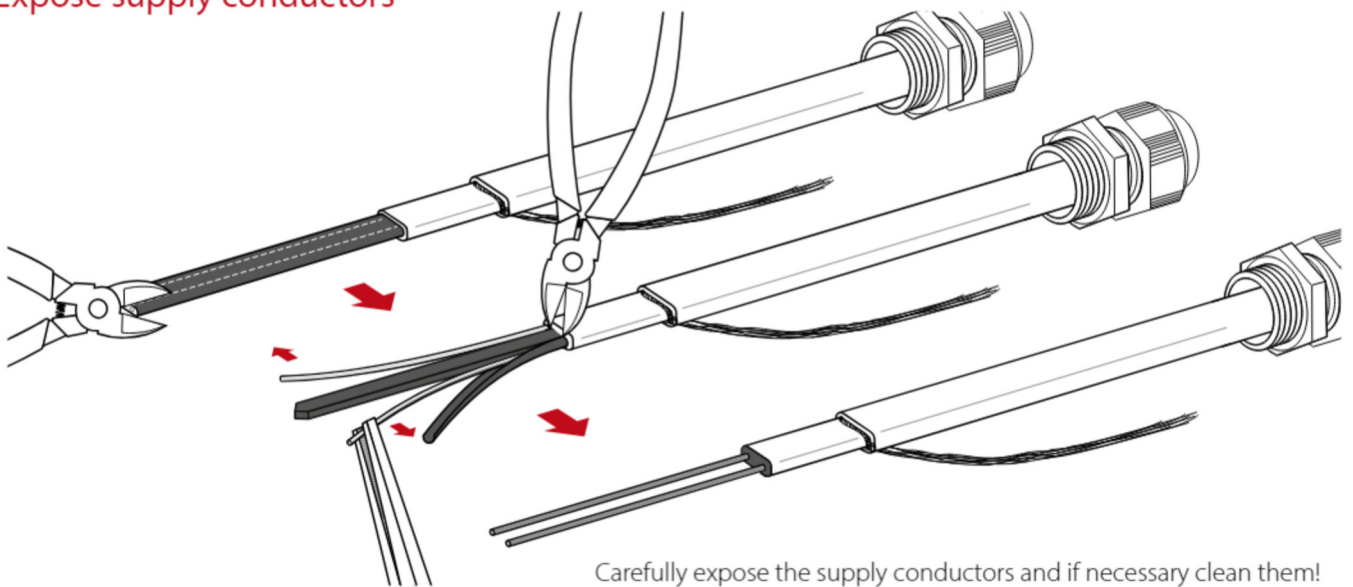
Stretch earthing conductor, do not twist

Remove inner insulating cover



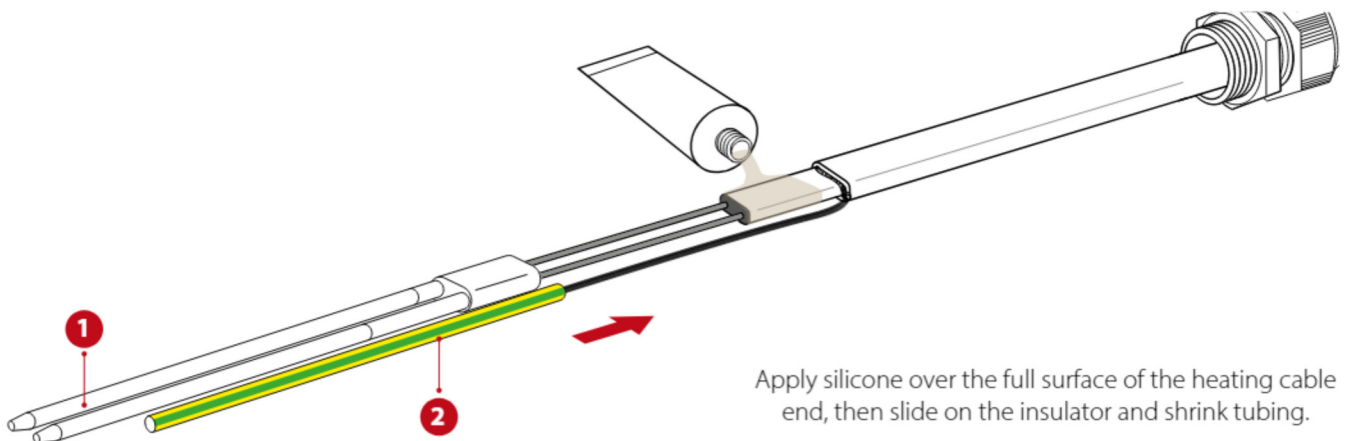
Carefully expose the heating matrix.

Expose supply conductors

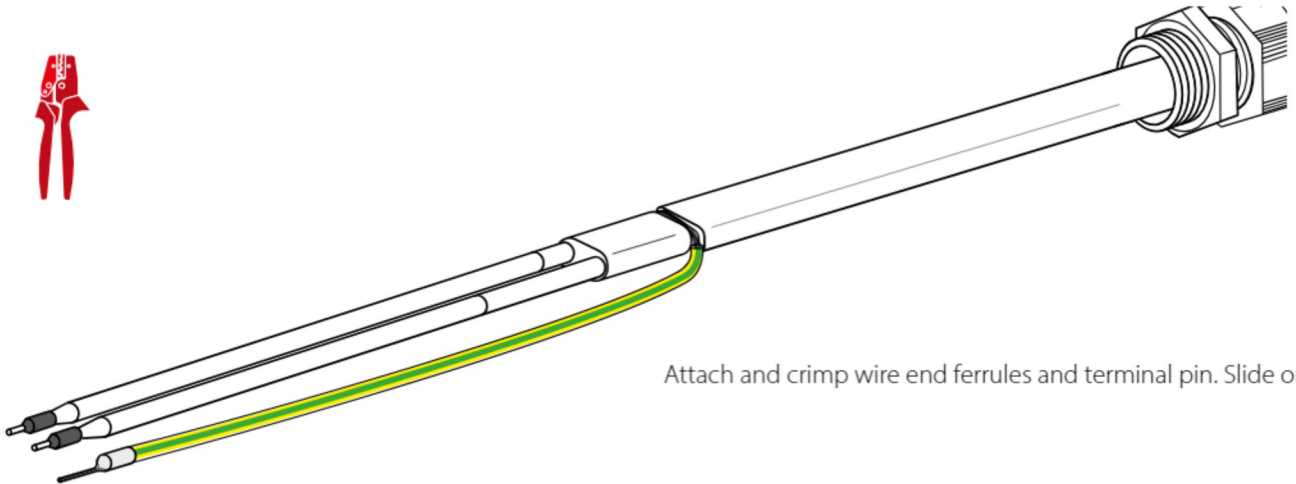


Carefully expose the supply conductors and if necessary clean them!

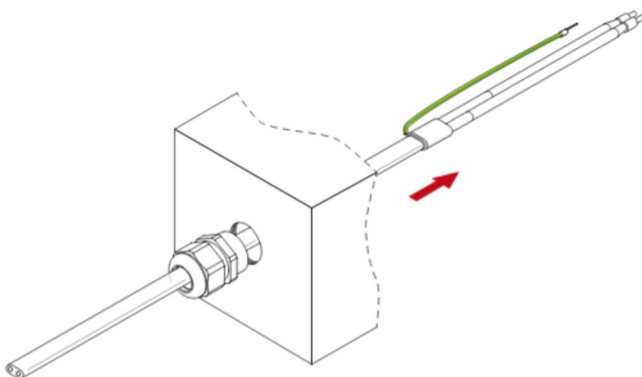
Finish assembly



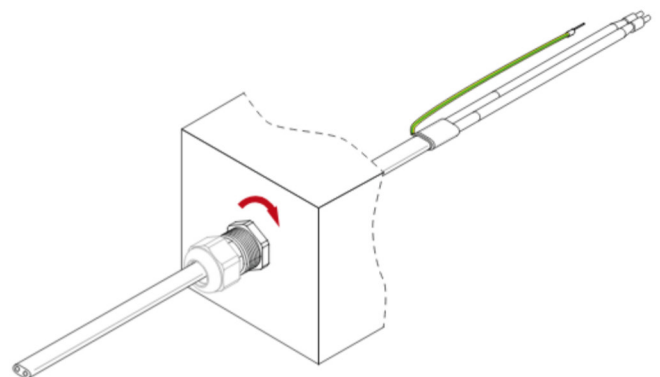
Apply silicone over the full surface of the heating cable end, then slide on the insulator and shrink tubing.



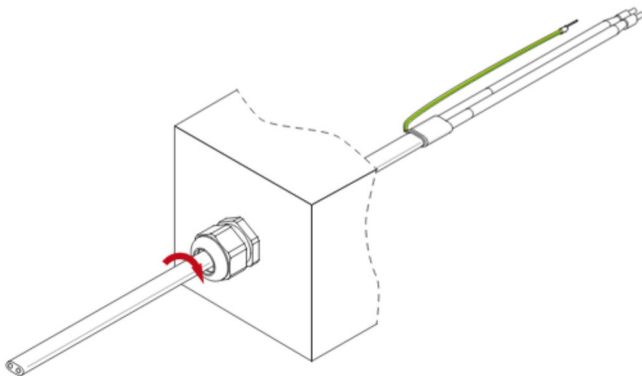
Attach and crimp wire end ferrules and terminal pin. Slide on.



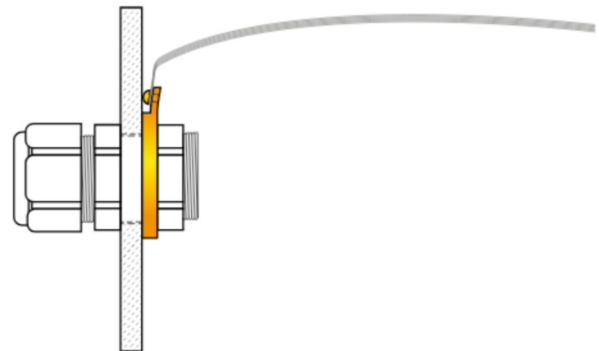
1. Insert the fully assembled heating cable into the housing.



2. Screw the bottom part of the screw connection into the housing.



3. Set the seal in place and tighten the screw connection.



For installation of metal screw connections in plastic housing: Earth the screw connection with an earthing kit!



WARNING

In the Ex area always follow the instructions for the screw connection. These instructions also contain important information for safe use!



Note

This set does not include an earthing kit. If an earthing kit is needed, it must be ordered separately.



This document can also be found on the eltherm website.
Visit our download area.

eltherm[®]



eltherm GmbH
Ernst-Heinkel-Straße 6-10
57299 Burbach, Germany

T.: +49 2736 4413-0
F.: +49 2736 4413-50
info@eltherm.com