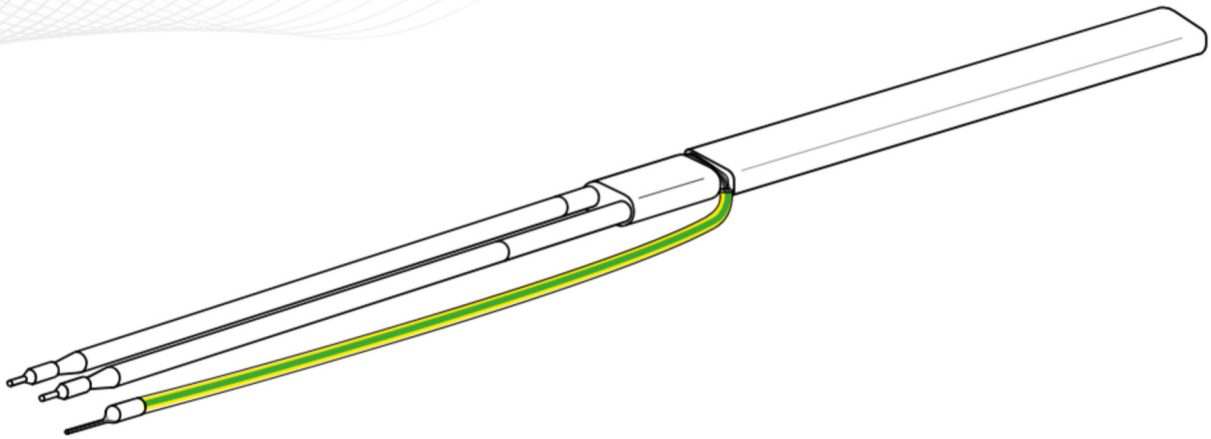


ASSEMBLY INSTRUCTIONS



ELVB-SREx-IT

ELSR connection set
for ELAK-RS and Ex-It-R junction boxes
and for temperature controllers of type Ex-TC/...-It

CONTENT

	Topic	Page
	IMPORTANT INFORMATION	3
	RECOMMENDED TOOLS	4
	CONTENTS OF CONNECTION SET	4
	PREPARATION & ASSEMBLY	5
	Remove outer sheath	5
	Loosen protective braiding	6
	Remove inner insulation	6
	Expose supply conductors	7
	Finalising the assembly	7
	Fastening the mounting stand	8

IMPORTANT INFORMATION

- RETAIN FOR LATER USE



Please follow these instructions for proper and safe use of the ELVB-SREx-IT connection sets. Please retain these instructions for later reference purposes (for example in the system documentation).

- FOR DISPOSAL



The WEEE logo indicates that this product must not be disposed of with residential waste. Further information about disposal and recycling of old electrical and electronic devices and where to find collection points is available from your local disposal company or from the manufacturer from which you bought the product.

NOTE

The termination is used for the power connection of parallel heating cable with ranges of circumference from 26-36 mm. It is suitable for Fluoropolymer and TPE outer jackets. The nominal voltage is 300 V. Proper assembly is shown on the following pages.

ATTENTION

Refers to a potentially dangerous situation. If it is not prevented, there is a risk of damage or malfunction.

DANGER

Refers to an extremely dangerous situation. If it is not prevented there is risk of death or at least a high risk of serious injuries.

NOTE

Important information and instructions for safe, effective and environmentally compatible usage.

WARNING

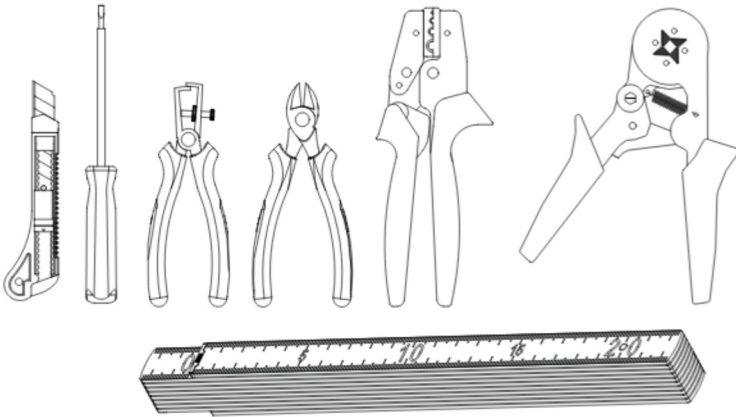
Refers to a dangerous situation. If it is not prevented there is risk of injury or at least a high risk of material damage.

Proviso

We reserve the right to make technical changes. Changes, errors or misprints shall not form the basis for any claim to compensation for damages. Comply with the applicable and currently valid standards and regulations for safety-related components and systems.

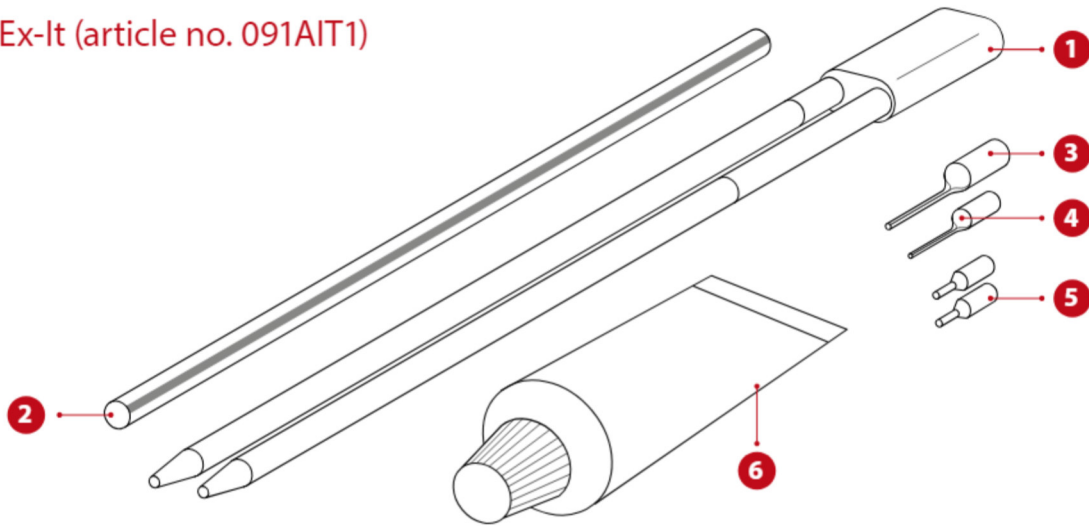
eltherm GmbH Ernst-Heinkel-Str. 6-10 57299 Burbach T.: +49 2736 4413-0 F.: +49 2736 4413-50 info@eltherm.com	Document: 864304091AIT1		Assembly instructions ELVB-SREx-IT	
	Author:	Peter Schmidt	Date:	31.03.2014
Revision: 06	Detlef Matthes	Date:	28.11.2023	

RECOMMENDED TOOLS



CONTENTS OF CONNECTION SET

ELVB-SREx-It (article no. 091AIT1)



Nº	Type	Quantity
1	Insulator for connection ELSR	1 Unit
2	Heat shrink sleeve $\varnothing = 4,8$ mm; $l = 180$ mm; gn/ye	1 Unit
3	Pin terminal lug $4-6$ mm ² ; E-Cu galv. tin-plated	1 Unit
4	Pin terminal lug $1,5-2,5$ mm ² ; E-Cu galv. tin-plated	1 Unit
5	Wire pins $1,5$ mm ² ; black	2 Unit
6	Silicone glue; „LT“ blue, 5 gr.	1 Unit



ATTENTION

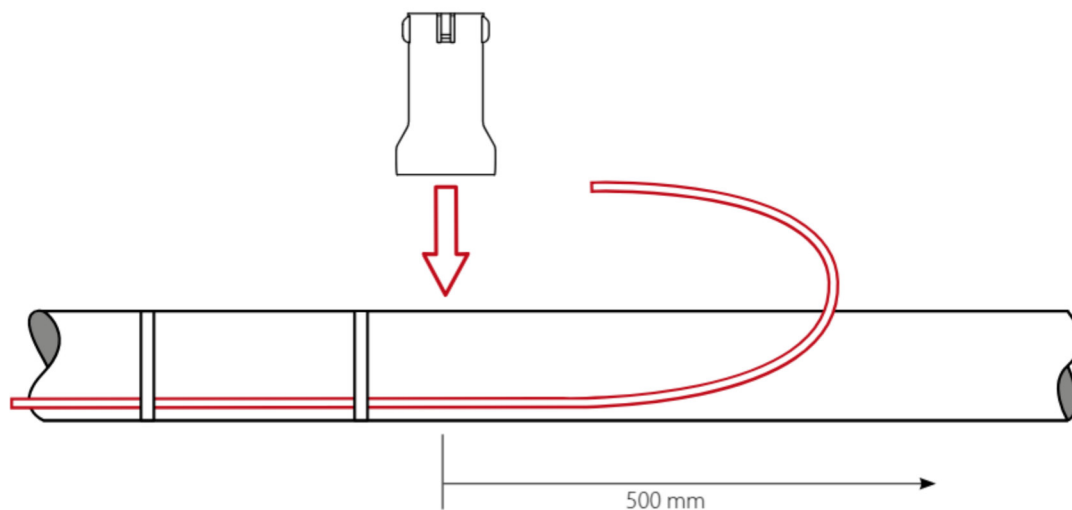
- Work may only be performed by authorised and qualified specialists!
- After work is complete, check the insulation resistance (min. 500VDC, recommended 2500VDC, min. 20 Mohms)!
- Crimp the wire pins and pin terminal lugs with a suitable tool (e.g. Stocko WZ100 with insert E66 or similar).



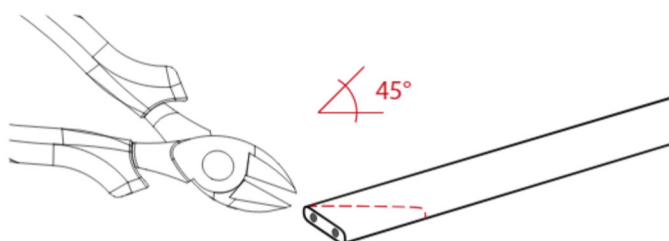
NOTE

This set does not include a termination. If a termination is needed, it must be ordered separately.

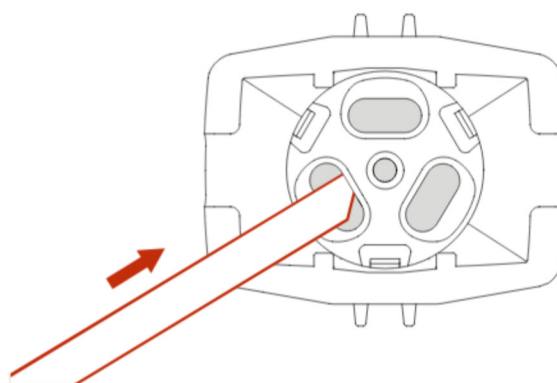
PREPARATION & ASSEMBLY



Do not fasten the heating cable at the planned installation point by approx. 500 mm.

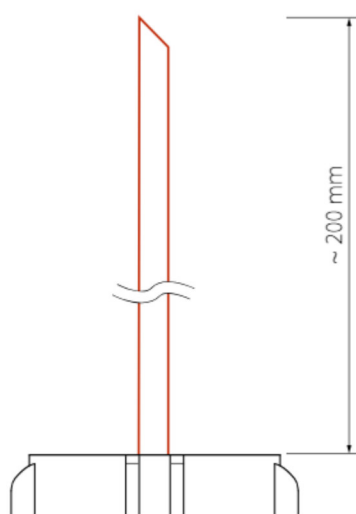


1. Cut heating cable at 45°

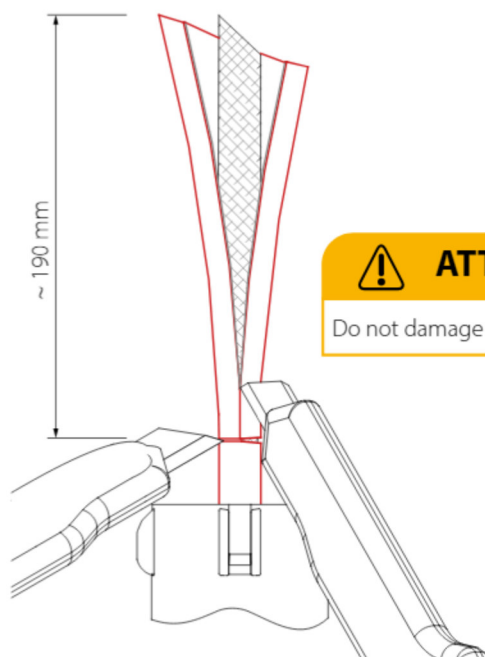


2. Insert the heating cable into the mounting stand, piercing the silicone seal inside with the heating cable.

Remove outer sheath



1. Pull the heating cable approx. 260 mm out of the mounting stand.



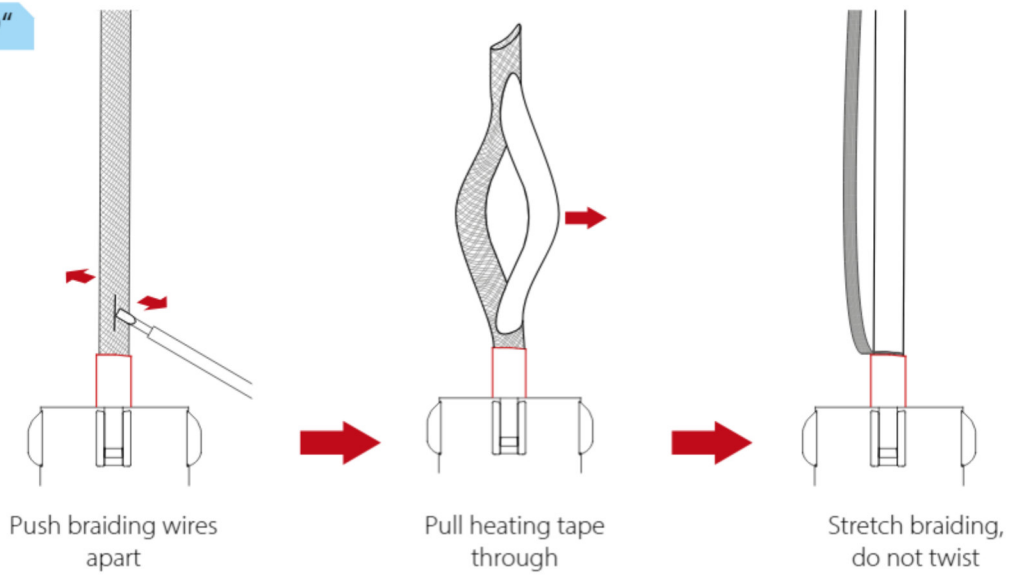
ATTENTION

Do not damage the protective braiding!

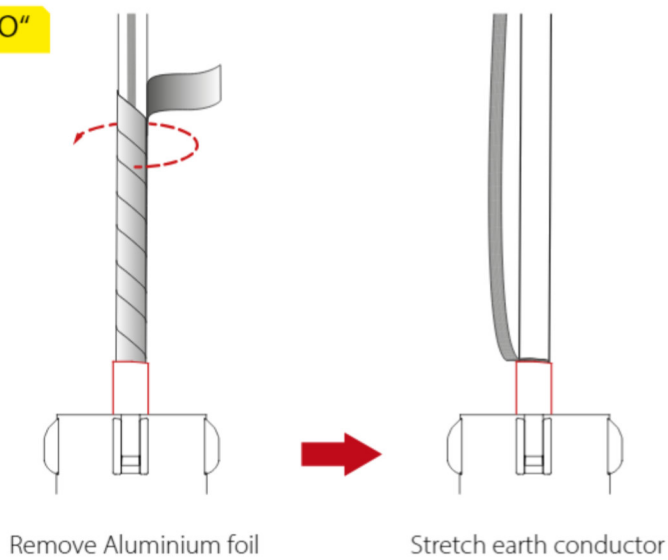
2. Remove approx. 190 mm outer sheath.

Loosen protective braiding

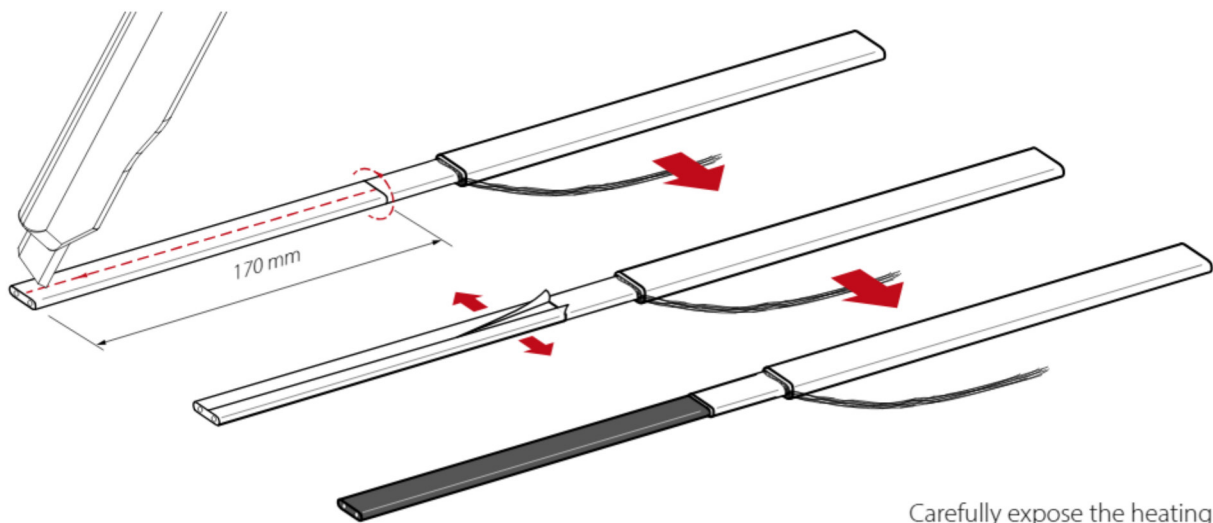
ELSR Typ „BO“



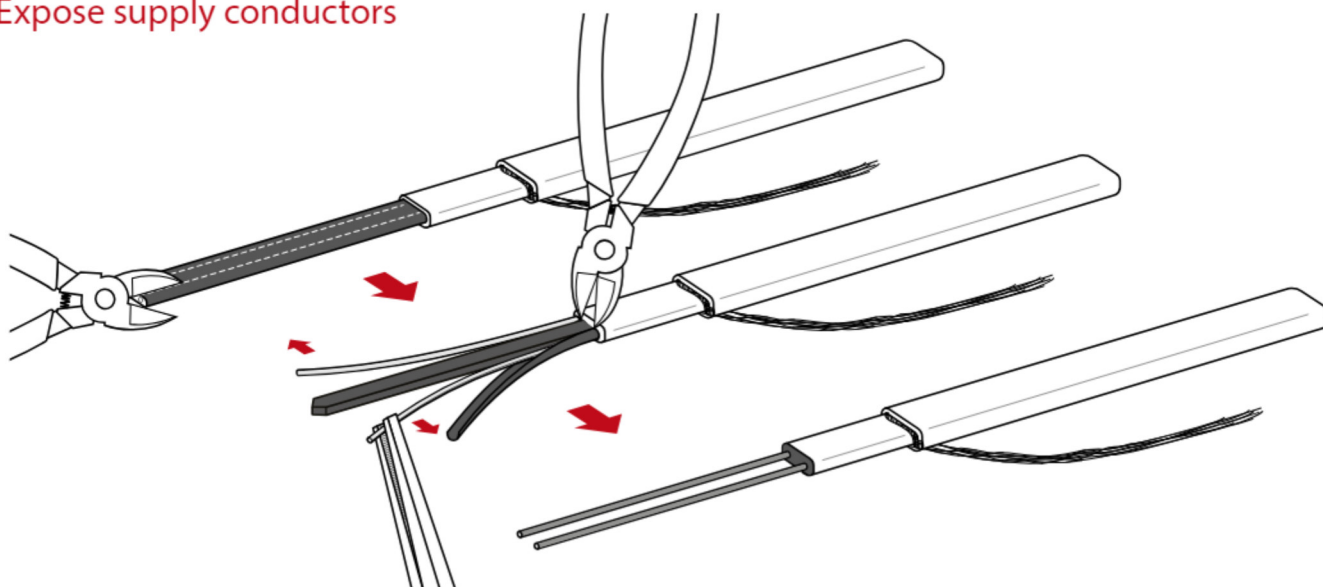
ELSR Typ „AO“



Remove inner insulation

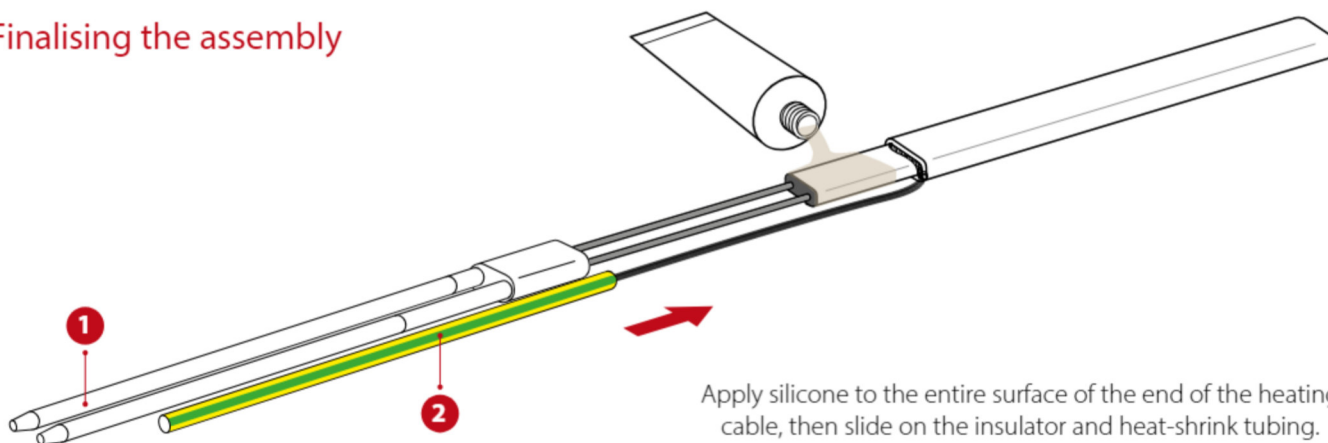


Expose supply conductors

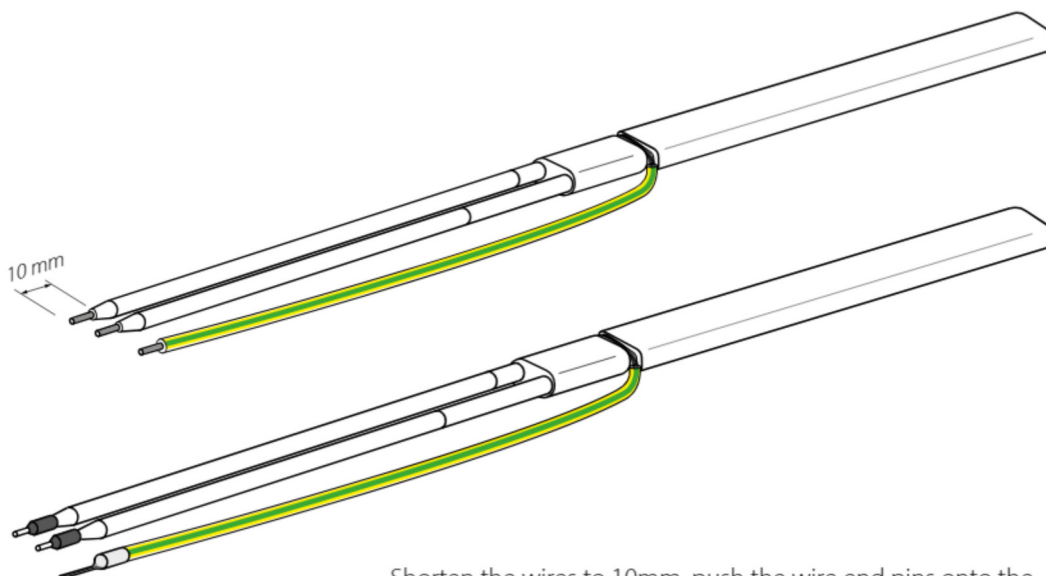


Carefully expose supply conductors & if necessary, thoroughly clean

Finalising the assembly

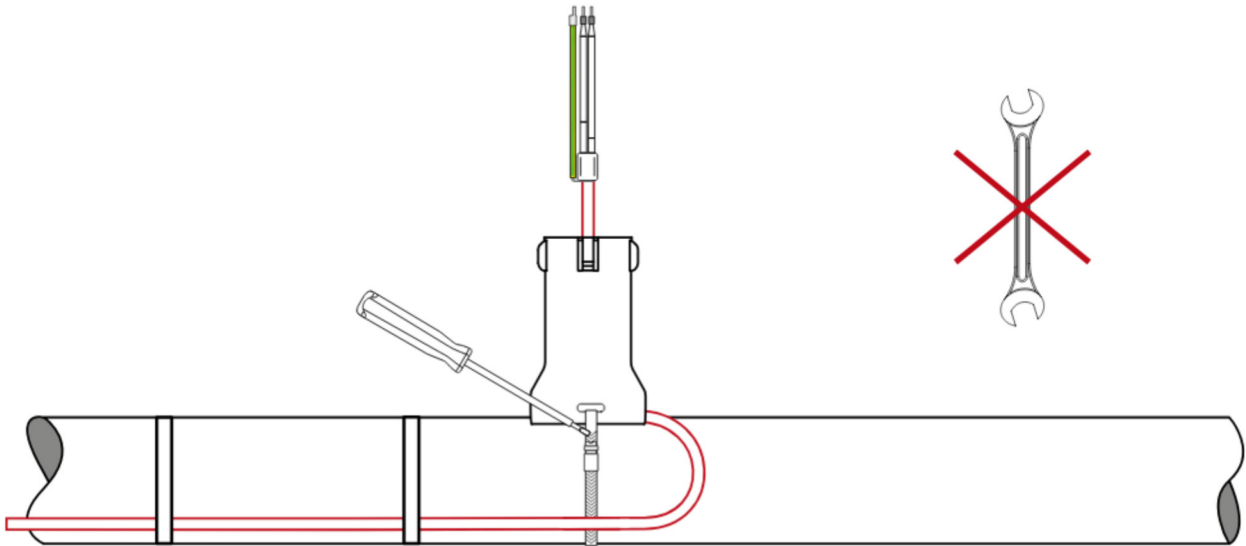


Apply silicone to the entire surface of the end of the heating cable, then slide on the insulator and heat-shrink tubing.



Shorten the wires to 10mm, push the wire end pins onto the supply conductors, push the pin terminal lug onto the braid and crimp using a suitable tool

Fastening the mounting stand



Do not run the tensioning strap over the heating/sensor cable and tighten the turnbuckle carefully.



eltherm GmbH
Ernst-Heinkel-Straße 6-10
57299 Burbach, Germany

T.: +49 2736 4413-0
F.: +49 2736 4413-50
info@eltherm.com

This document can also be found on the
eltherm website.
Visit our download area.

